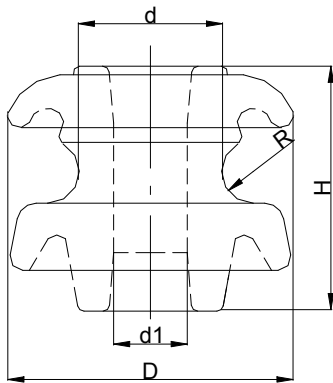
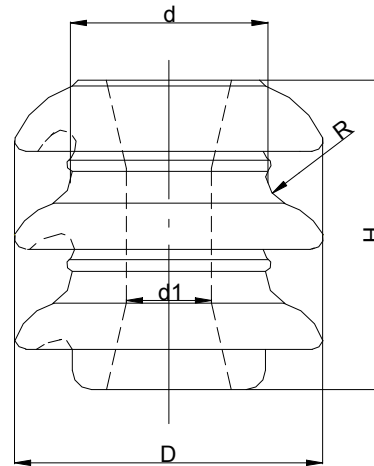


SHACKLE INSULATOR

(BS Standard Type)



ED-2(B)
ED-2(B)1



ED-2(C)

Type		ED-2(C)	ED-2(B)	ED-(B)1
Dimensions(mm)	H	80	76	76
	D	80	89	89
	d	50	48	48
	d1	22	21	17.5
	R	6	10	10
Transverse Strength (KN)		13.2	12.7	12.7
Power Frequency	Dry (KV)	25	25	25
Flashover Voltage	Wet (KV)	12	12	12
Net Weight, Each, Approx (kg)		0.5	0.5	0.5
Number in Standard Package		60	60	60
Colour		Brown, Light Gray or to Drawings		